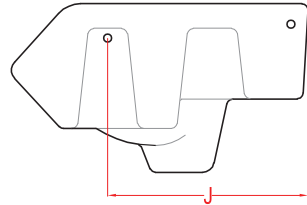
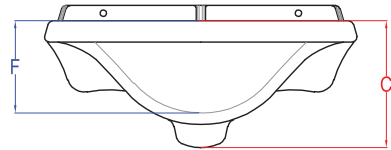
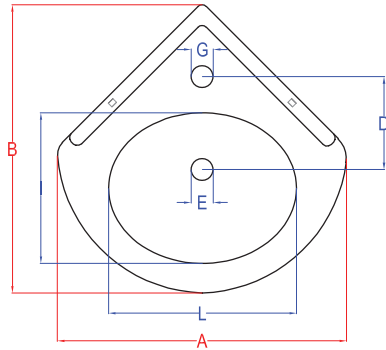


**Immerse**  
**CB-02-X**  
Corner Basin



A	B	C	D	E	F	G	I	J	L
430	430	200	130	45	120	35	220	205	275