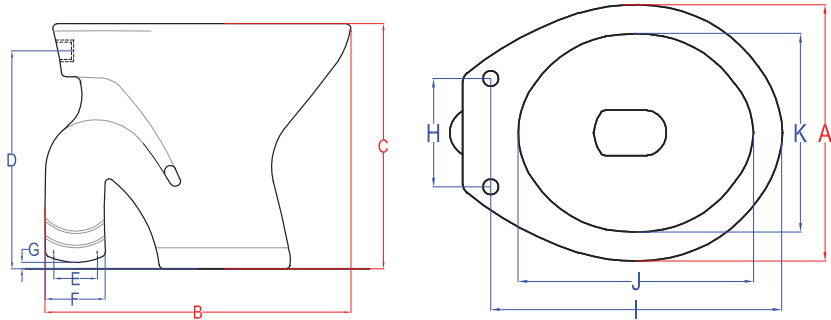


Trend S

**ECS-21-SH/ECS-21-SO
/ECS-21-SR**

European Water
Closet S Trap



| A | B | C | D | E | F | G | H | I | J | K |
|-----|-----|-----|-----|----|----|----|-----|-----|-----|-----|
| 355 | 530 | 400 | 370 | 75 | 95 | 20 | 170 | 430 | 320 | 260 |