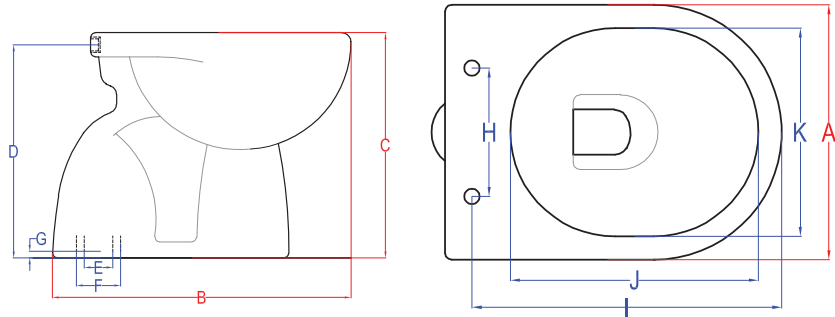


**Deon S**

**ECS-24-S**

Concealed European  
Water Closet  
S Trap



A	B	C	D	E	F	G	H	I	J	K
365	575	400	370	80	100	15	170	440	340	280